

*naturally*

**hurlcon hydronic heating**

Lamborghini  
Wall Hung  
Boilers



*naturally better*



bring summer  
into your home...



*better*

# naturally

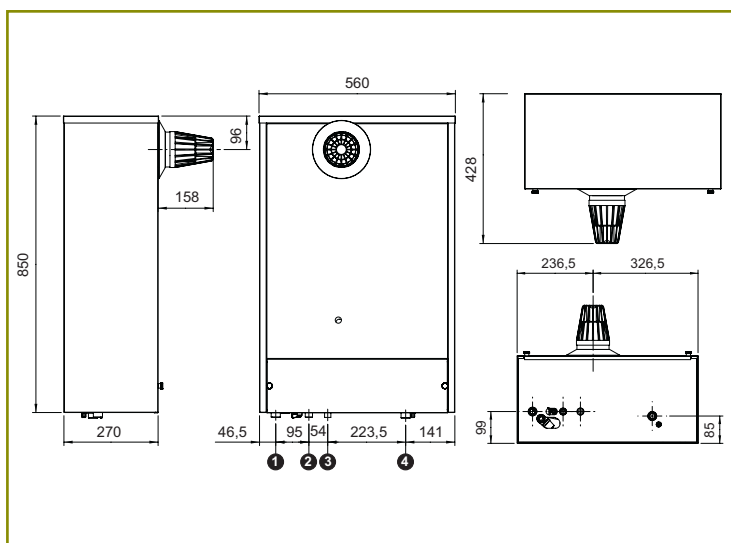
## hurlcon hydronic heating

### Unbeatable value...

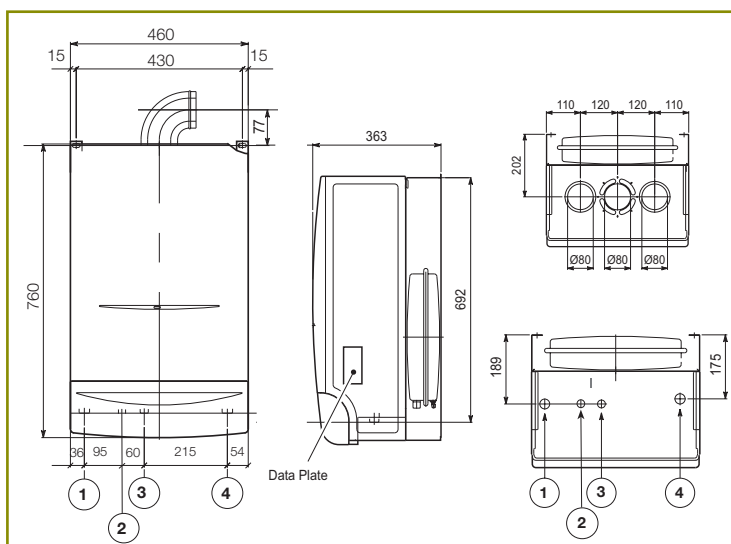
The Lamborghini 30 I & 30 O power flued, wall mounted boilers have been styled by one of Italy's top design studios as part of the Ferrol group. The boilers meet the highest European standards of manufacture and carry the CE approval mark. All models feature Honeywell and Grundfos components, automatic electronic ignition, high efficiency copper heat exchangers and fully modulating stainless steel burners to ensure long life and maximum efficiency in use with useful frost protection control.

The boiler design allows for ease of installation and servicing with easy access to all major components from the front of the boiler. Every Lamborghini 30 I and 30 O carries a comprehensive guarantee, with service and spare parts backup. Lamborghini has developed a wide range of flue options for its boiler range and the Lamborghini 30 I and 30 O are no exception. With the multi-directional fan assisted flue and flue lengths, these versatile boilers can offer total flexibility with installation.

Models Lamborghini wall hung boilers			30 I	30 O
Nominal heat output	Natural Gas	Max kW	30	30
		Min kW	17	17
	Universal LPG	Max kW	27.9	27.9
		Min kW	15.6	15.6
Water capacity		Litres	1.7	1.7
Expansion vessel	Capacity	Litres	10	10
Pressure relief valve	Setting	kPa	300	300
Weight with packaging		kg	41.5	51
Fittings	1 System CH flow	Inch BSP	3/4	3/4
	2 System filling	Inch BSP	1/2	1/2
	3 Gas inlet	Inch BSP	1/2	1/2
	4 System CH return	Inch BSP	3/4	3/4
Gas consumption	Natural Gas	Max Mj/h	132	132
		Min Mj/h	77.6	77.6
	Universal LPG	Max Mj/h	120	120
		Min Mj/h	69.7	69.7
Injector nozzles	# injectors	#	16	16
	Size Natural Gas	mm	1.35	1.35
	Size universal LPG	mm	0.77	0.77
Electrical protection	Grade	-	IPX5D	IPX5D



**Lamborghini**  
CALORECLIMA



### Key

- 1 CH flow
- 2 System filling
- 3 Gas Inlet
- 4 CH return

### Warranty Guide

- 12 months parts and labour  
5 years heat exchanger

[www.hurlconheating.com.au](http://www.hurlconheating.com.au)

[enquiries@hurlconheating.com.au](mailto:enquiries@hurlconheating.com.au)

**Melbourne:** 03 9554 2275    **Townsville:** 07 4750 3100  
**Sydney:** 02 9853 2100    **Adelaide:** 08 8152 7600  
**Brisbane:** 07 3308 5400    **Perth:** 08 9350 2600  
**Gold Coast:** 07 5552 2600