

CONNECT BASE MIX 2



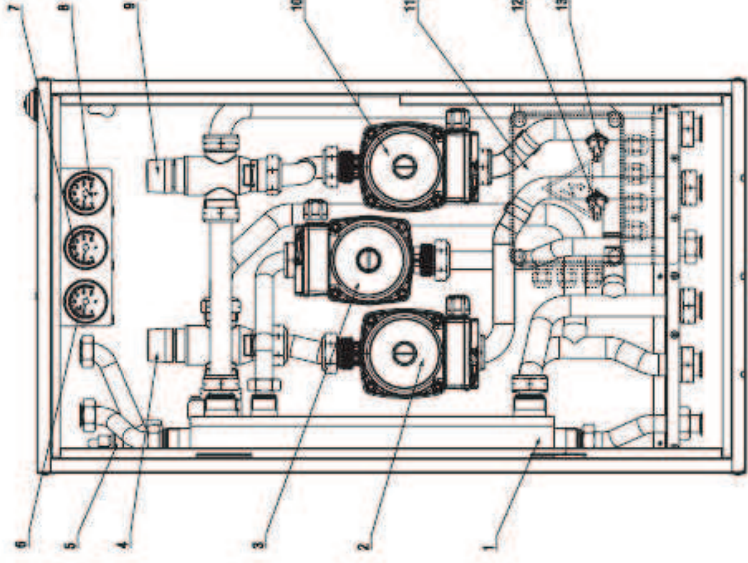
Connect Base Mix 2 is dedicated to be used in case of heating installation with 3 different kind of

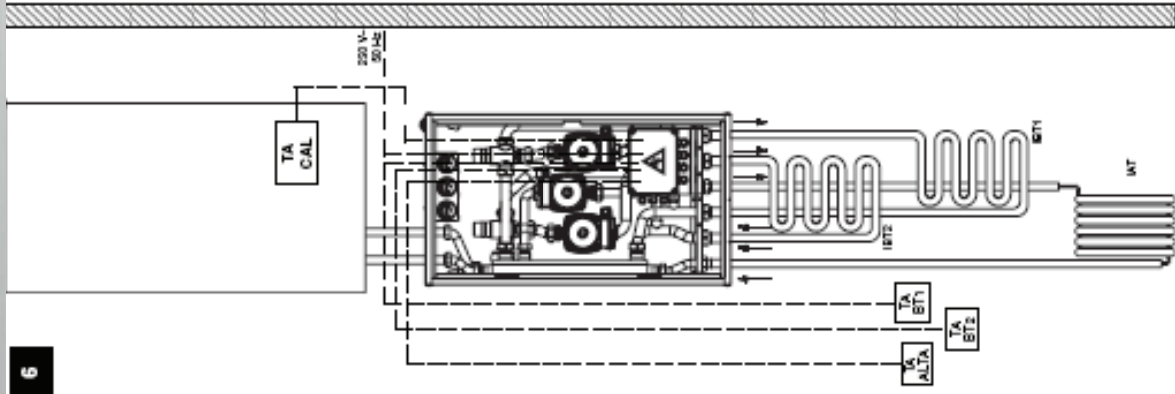
circuits:

✓ - n. 1 high temperature (radiators)

✓ - n. 2 low temperature (floor heating installation)

- 1 Mixing bottle
- 2 Circulator low temperature circuit 2
- 3 Circulator high temperature circuit
- 4 Mixing valve low temperature circuit 2
- 5 Air vent valve
- 6 Thermometer low temperature circuit 2
- 7 Thermometer high temperature circuit
- 8 Thermometer low temperature circuit 1
- 8 Mixing valve low temperature circuit 1
- 9 Mixing valve low temperature circuit 1
- 10 Electrical box
- 11 Limit thermostat low temperature circuit 2 (manual re-set)
- 12 Limit thermostat low temperature circuit 1 (manual re-set)



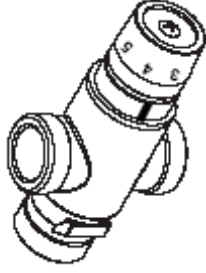


HIGH TEMPERATURE CIRCUIT

The temperature is set on the boiler

LOW TEMPERATURE CIRCUITS

The temperature depends on the manual setting of the mixing valve in the Connect (on the 2 circuits)



| POS | MIN | 1 | 2 | 3 | 4 | 5 | MAX |
|--------|-----|----|----|----|----|----|-----|
| T (°C) | 20 | 22 | 25 | 35 | 45 | 55 | 60 |

Ref.: 80°C incoming